

JAMB FRAME SPLICE

Installation Guide

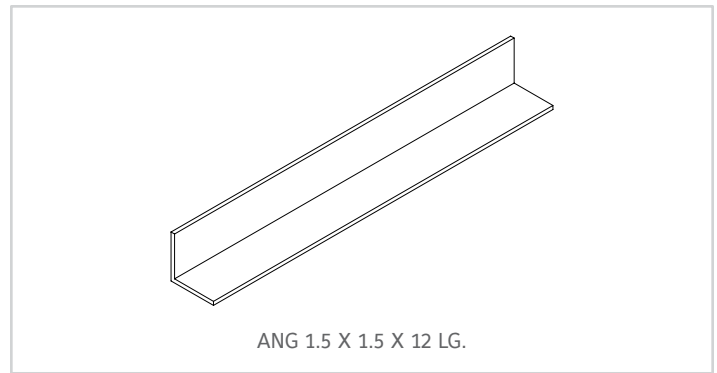
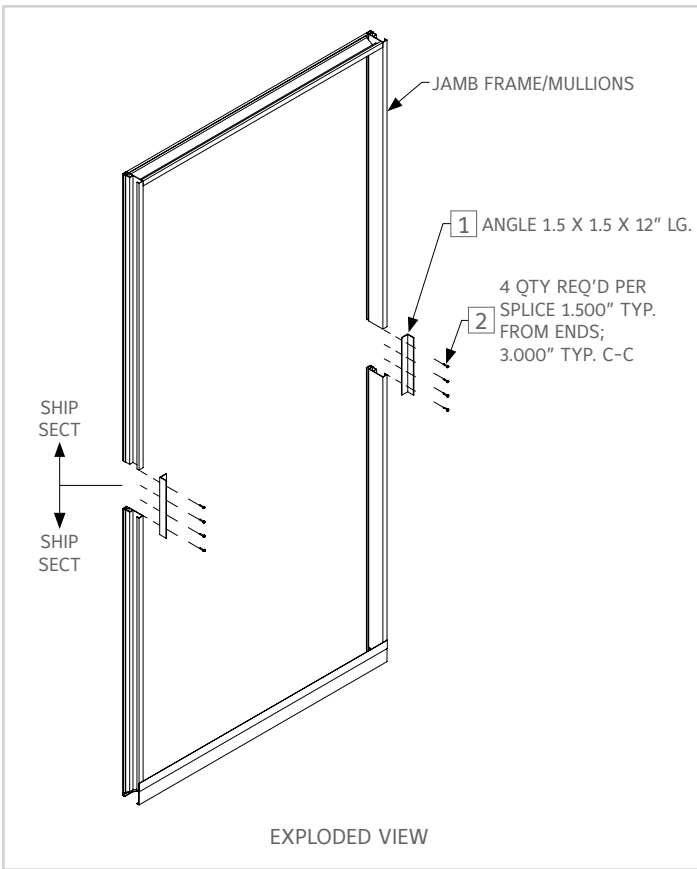


LIST OF MODELS AFFECTED

MODELS AFFECTED (TYPE I)		MODELS AFFECTED (TYPE II)	MODELS AFFECTED (TYPE III)
15045RZ	6425DD	445RAAZ	4RCHFH
2RCV	645RB	645RAAZ	430FB
3RCH	645DD	845RAAZ	4375FD
245RB	445DD	1245RAAZ	6375FD
245D	4375B	845FBAF	645FBABL
4375D	2DDWRG	1245FBAF	645FB
4375D125	3RRGV		445FBABL
4375Z	4DDWRG/4DDWRGE		445FB
4375Z125	5DDWRG/5DDWRGE		4375FDABL
4RCH	445RDHBD		6375FDHAX
445RD	6375RDHAX		
445RD125	645RDABL/645RDABL125		
6350DS	445RBABL/445RBABL125		
6375D	445RDABL		
6375D125	6375RDABL		
6375Z	6375RBABL		
6375Z125	645RAAB		

For enquiries, Please contact Louver Sales: louversales@reliable.com

REFERENCE IMAGES



ITEM #	DESCRIPTION	QTY.	PART #	MATERIAL
PARTS LIST TABLE - JAMB FRAME SPLICE (SHIP LOOSE) TYPE I				
1	ANGLE 1.5 X 1.5 X .125 X 12 LG.	2	360437300	EXT ALUM 6063-T5 .125" THK
2	SCR 10 X 1.00 HWH TEK	8	380430941	410/ZC
PARTS LIST TABLE - JAMB FRAME SPLICE (SHIP LOOSE) TYPE II				
1	ANGLE 1.5 X 1.5 X .125 X 12 LG.	2	360437300	EXT ALUM 6063-T5 .125" THK
2	SCR 10 X 1.25 HWH TEK	8	380431060	410/ZC
PARTS LIST TABLE - JAMB FRAME SPLICE (SHIP LOOSE) TYPE III				
1	ANGLE 1.5 X 1.5 X 12 LG.	2	360502840	10 GA GALV STEEL
2	SCR 10 X 1.00 HWH TEK	8	380430941	410/ZC

** Square balloons refer ship loose parts

RELIABLE

1300 Enterprise Road, P.O. Box
580, Geneva, Alabama 36340
Tel: 334-684-3621
Tel: 800-624-3914
Fax: 800-508-1469
Website: www.reliablelouvers.com