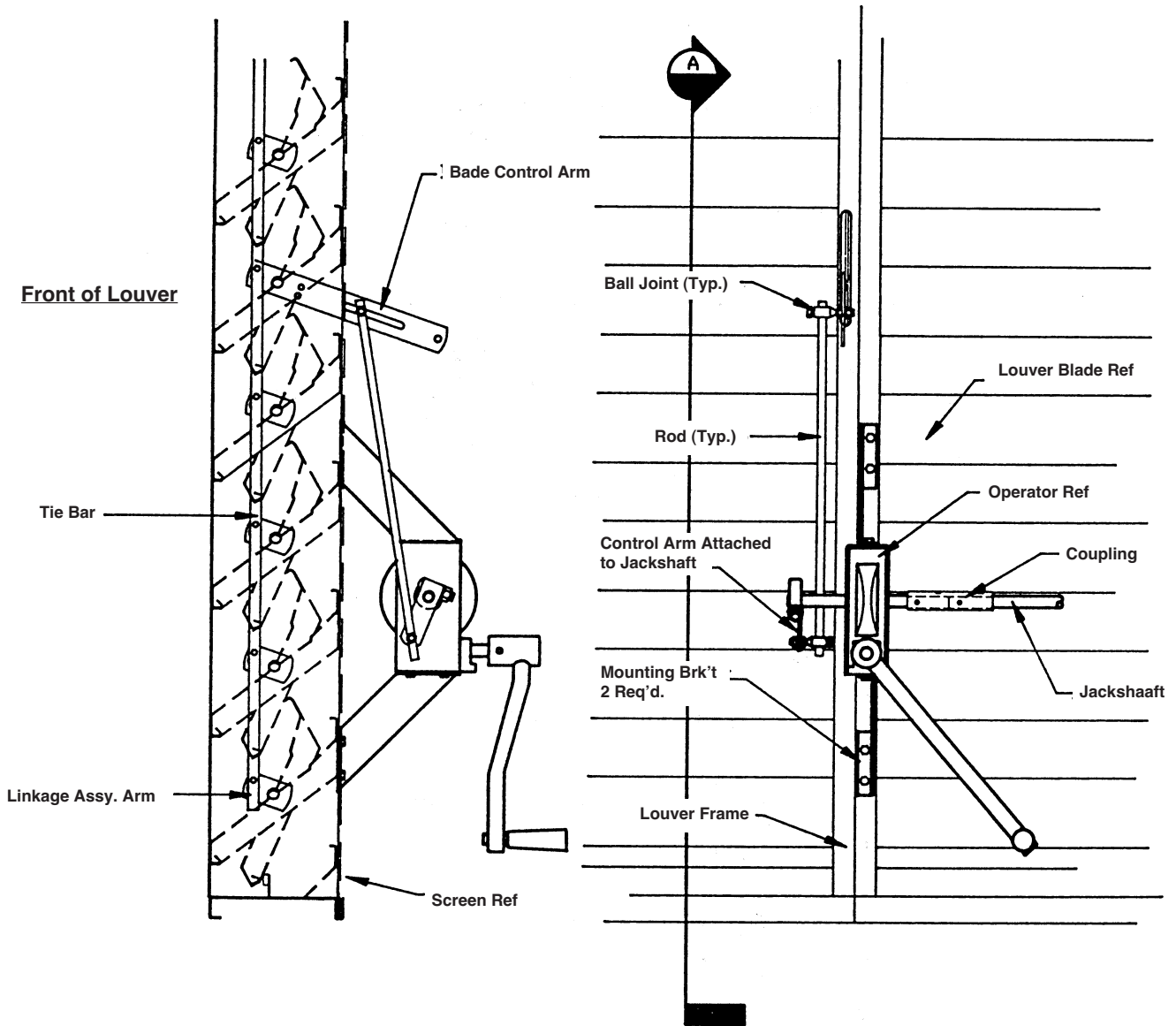




### MOVABLE LOUVER DETAILS

### WORMGEAR OPERATOR

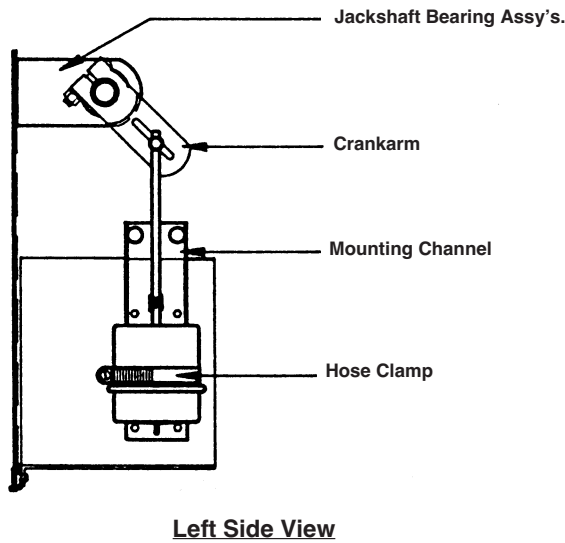
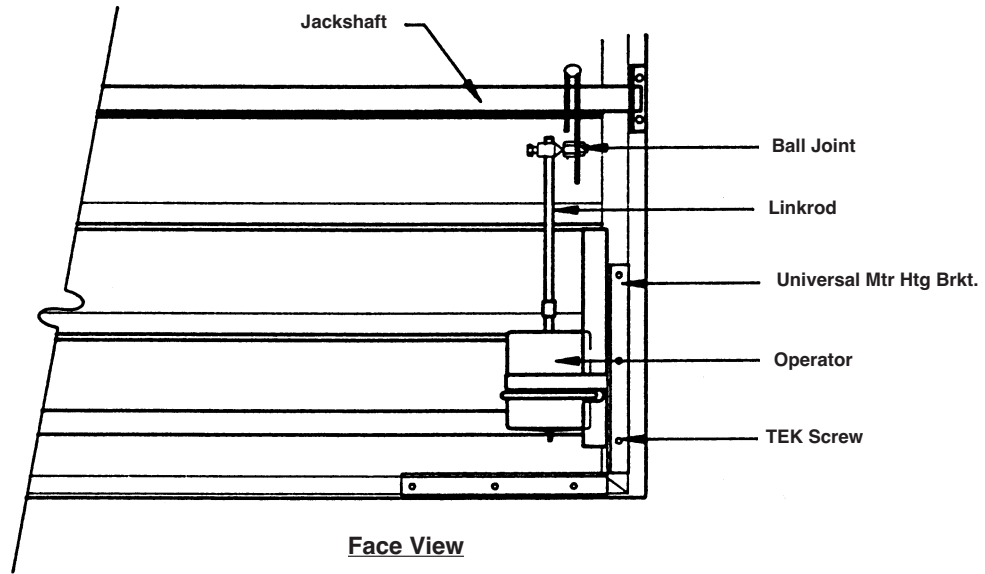


**A** SECTION THRU  
N.T.S. SECTION

PARTIAL REAR ELEVATION  
N.T.S. ELEVATION

DWG. NO.  
60-020687-00A

**PNEUMATIC OPERATOR**



DWG. NO.  
60-020688-00A

