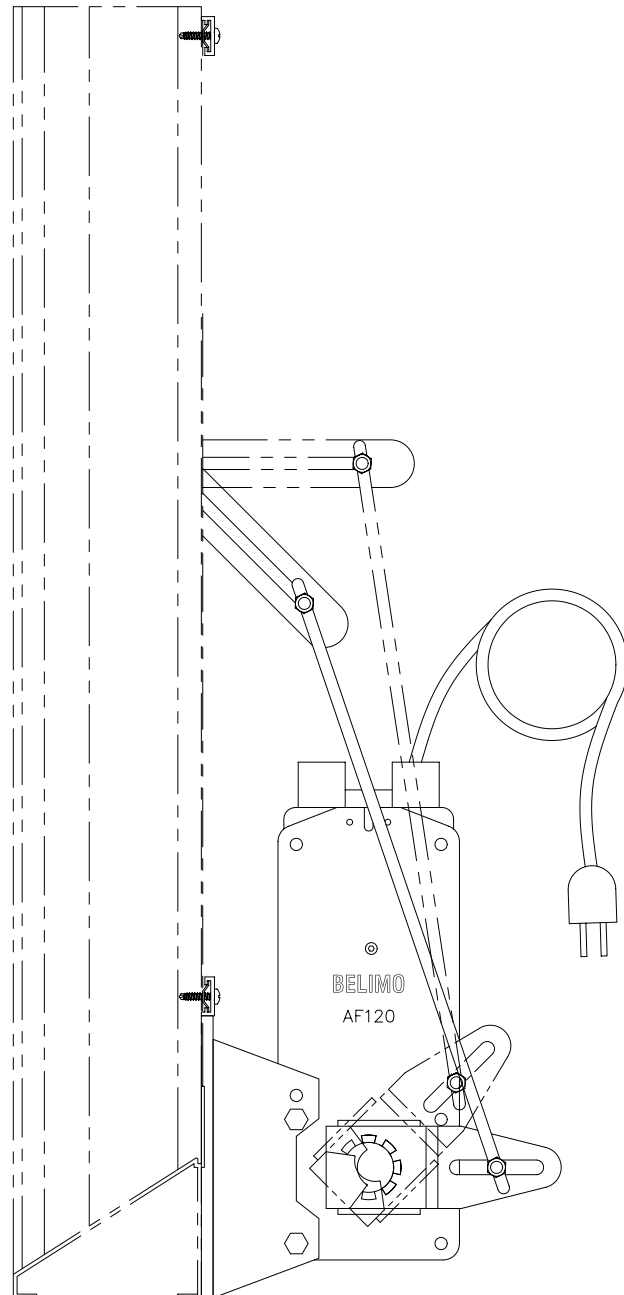


MOTOR DETAIL



MISCELLANEOUS

PROJECT:	LOCATION:
ARCH./ENGR.:	CONTRACTOR:
REPRESENTATIVE:	DATE:

00AR153B
REV. (B) 02/28/03

ALL STATED SPECIFICATIONS ARE SUBJECT TO CHANGE WITH OUT NOTICE OR OBLIGATION.