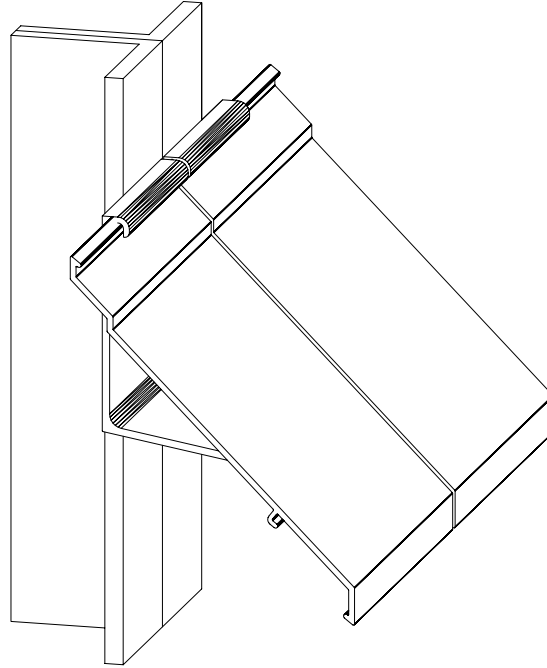
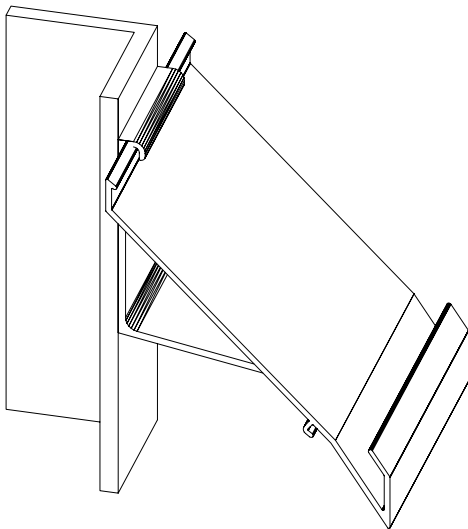


**STANDARD CONSTRUCTION DETAILS**

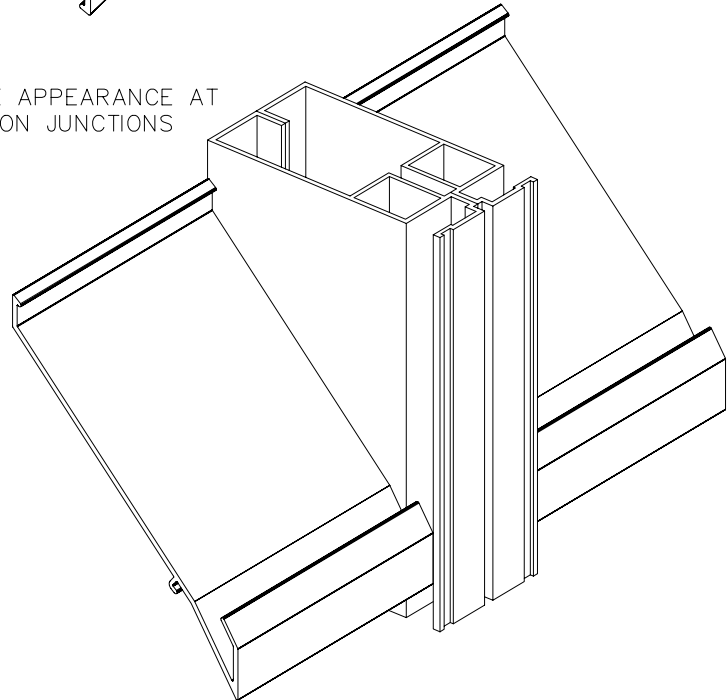
MISCELLANEOUS



CONTINUOUS BLADE APPEARANCE AT  
MULTIPLE SECTION JUNCTIONS



HIDDEN VERTICAL BLADE SUPPORT (HVBS)



VISIBLE MULLIONS ON MULTIPLE SECTION WIDE UNITS

<b>PROJECT:</b>	<b>LOCATION:</b>
<b>ARCH./ENGR.:</b>	<b>CONTRACTOR:</b>
<b>REPRESENTATIVE:</b>	<b>DATE:</b>

ALL STATED SPECIFICATIONS ARE SUBJECT TO CHANGE WITH OUT NOTICE OR OBLIGATION.

01AR007A  
REV. (A) 06/10/02