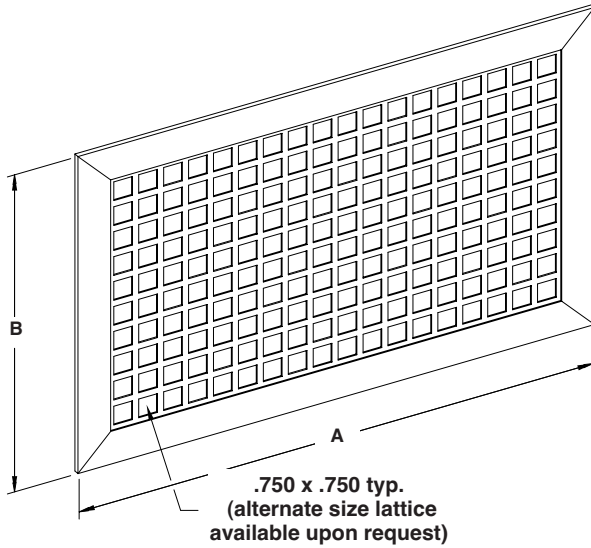




1300 ENTERPRISE ROAD GENEVA, ALABAMA 36340-0580 800-239-4621 FAX 1-800-508-1469 www.reliablelouvers.com

LATTICE SCREEN EXTRUDED ALUMINUM



STANDARD CONSTRUCTION

MATERIAL

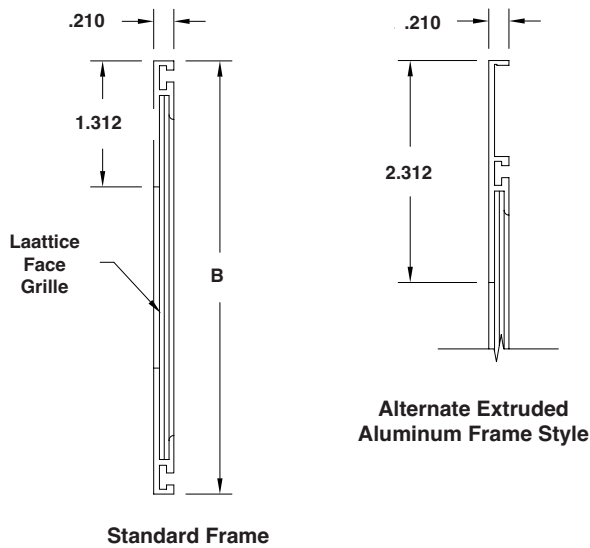
.080" (2) LAT aluminum 4" x 12" x .080 (102 x 305 x 2) grid pattern.

OPTIONS

- Perimeter frame, various grid sizes.
- Clear or anodized finish
- Prime coat
- Baked Enamel (Kynar 50%)
- Pearledized 50 or 70
- Kynar 70%

FEATURES

- Aesthetically attractive product that provides protective barrier for louver face or can be used as stand alone product.



TAG	QTY.	ACTUAL SIZE		FRAME	VARIATIONS
		WIDTH (A)	HEIGHT (B)		
PROJECT ARCH./ENGR. REPRESENTATIVE			LOCATION CONTRACTOR DATE		

