

6375RDABL

Drainable Adjustable Louver

Extruded Aluminum



APPLICATION

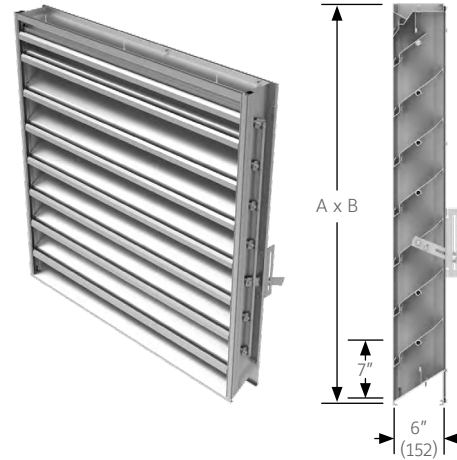
The 6375RDABL is a 6" deep operable louver with high free area designed to keep water infiltration to a minimum in the open position while providing tight closure and other elements when closed.

STANDARD CONSTRUCTION

Frame	6" (152) deep, 6063T6 extruded aluminum with .081" (2.1) nominal wall thickness. Downspouts and caulking surfaces provided.
Blades	6063T6 extruded aluminum. .081" (2.1) nominal wall thickness. Drainable blades are adjustable to 37 1/2° angle. Blade spacing is approximately 6" (152) center to center.
Screen	3/4" x .051" (19 x 1.3) expanded, flattened aluminum bird screen in removable frame. Screen adds approximately 1/2" (13) to louver depth.
Seals	Extruded Santoprene blade seals Compressible aluminum jamb seals.
Bearings	Stainless steel sleeve pressed into frame.
Axles	1/2" (13) plated steel hex.
Finish	Mill.
Linkage	Concealed in frame.
Actuator	Locking louver quadrant.
Minimum Size	12"w x 12"h (305 x 305).
Approximate Shipping Weight	3.5 lbs./ ft. ² (17.1 kg per m ²).
Maximum Factory Assembly Size	Shall be 60"w x 96"h (1524 x 2438) without seals. Louvers with standard jamb seals and/or optional blade seals shall be 48"w x 96"h (1219 x 2438). Standard construction includes jamb seals. Louvers larger than the maximum factory assembly size will require field assembly of smaller sections.

FEATURES

- Published performance ratings based on testing in accordance with AMCA Publication 511
- Low torque operation and architecturally pleasing appearance with low leakage performance
- Drain gutter in the head frame and each blade; downspouts in jambs and mullions to drain water from louver for minimum water cascade from blade to blade
- Concealed blade linkage is protected from weather exposure and reduces required installation depth
- Jamb seals provide tight blade-to-frame closure
- 55% Free Area



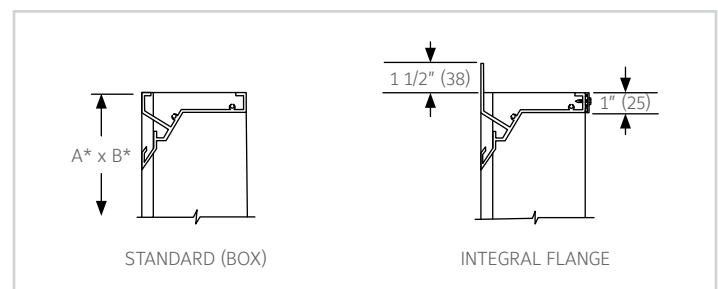
VARIATIONS

Variations to the basic design of this louver are available at additional cost. They include:

- Extended sill
- Front or rear security bars
- Filter racks
- Blade edge and jamb seals
- A variety of bird and insect screens
- Selection of finishes: prime coat, baked enamel (modified fluoropolymer), epoxy, Acrodize, PVDF 50 & 70, clear and color anodize. (Some variation in anodize color consistency is possible)
- Manual, electric or pneumatic actuators

Consult Reliable for other special requirements.

FRAME CONSTRUCTION



Note:

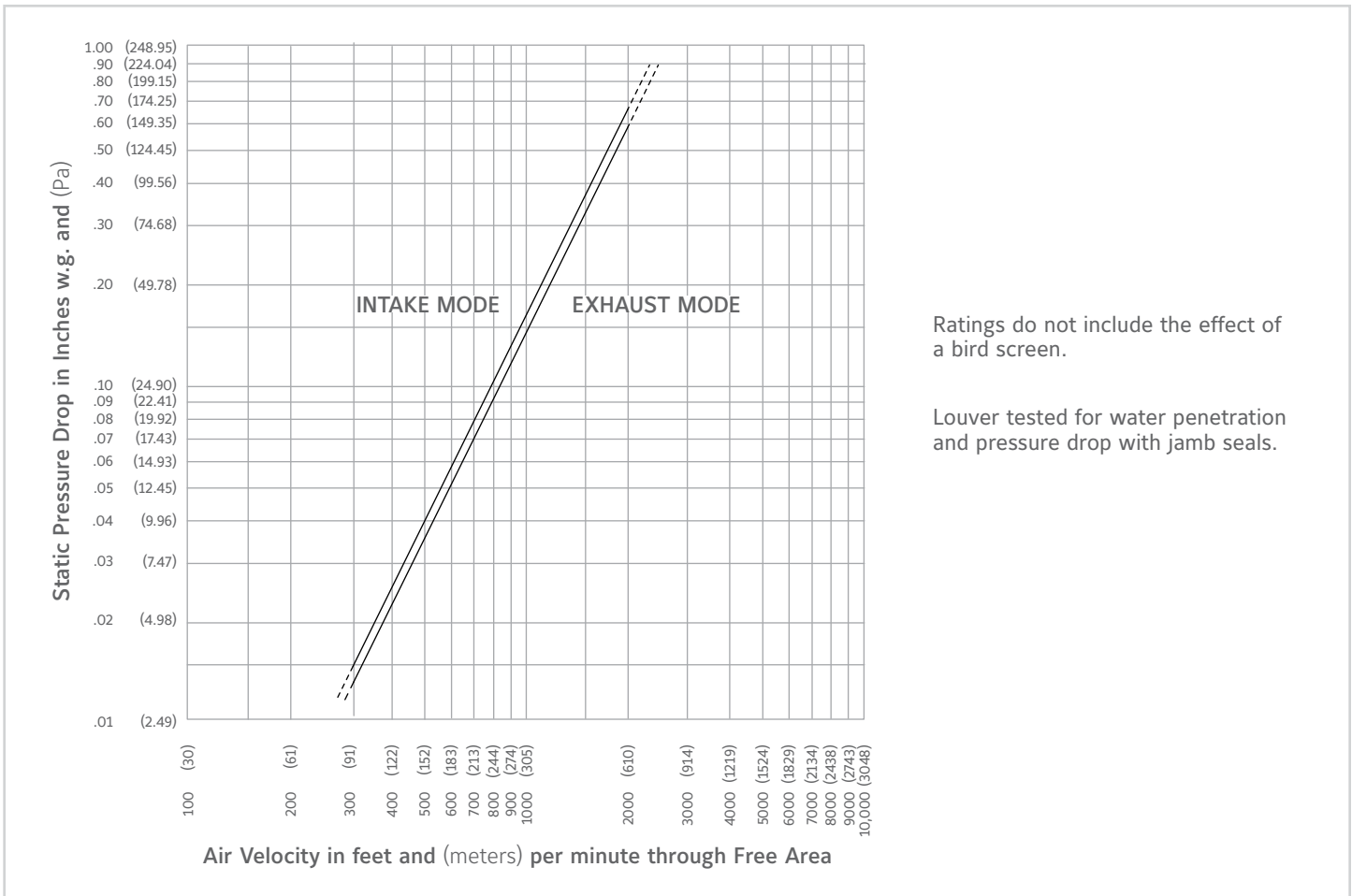
- Dimensions in inches, parenthesis () indicate millimeters.
- Units can be furnished actual size or with size deducts.

FREE AREA GUIDE

Free Area Guide shows free area in ft² and m² for various sizes of 6375RDABL.

		Width – Inches and Meters								
HEIGHT		12	18	24	30	36	42	48	54	60
		0.30	0.45	0.60	0.75	0.90	1.05	1.20	1.35	1.50
Height – Inches and Meters	12	0.23	0.37	0.51	0.65	0.80	0.94	1.08	1.22	1.36
	0.30	0.02	0.03	0.05	0.06	0.07	0.09	0.10	0.11	0.13
	18	0.52	0.83	1.14	1.45	1.76	2.07	2.38	2.69	3.00
	0.45	0.05	0.08	0.11	0.13	0.16	0.19	0.22	0.25	0.28
	24	0.80	1.28	1.76	2.25	2.73	3.21	3.69	4.17	4.65
	0.61	0.07	0.12	0.16	0.21	0.25	0.30	0.34	0.39	0.43
	30	1.09	1.74	2.39	3.04	3.69	4.34	5.00	5.65	6.30
	0.75	0.10	0.16	0.22	0.28	0.34	0.40	0.46	0.53	0.59
	36	1.37	2.19	3.01	3.84	4.66	5.48	6.30	7.12	7.95
	0.90	0.13	0.20	0.28	0.36	0.43	0.51	0.59	0.66	0.74
	42	1.65	2.65	3.64	4.63	5.62	6.62	7.61	8.60	9.59
	1.05	0.15	0.25	0.34	0.43	0.52	0.62	0.71	0.80	0.89
	48	1.94	3.10	4.26	5.43	6.59	7.75	8.91	10.08	11.24
	1.20	0.18	0.29	0.40	0.50	0.61	0.71	0.83	0.94	1.05
	54	2.22	3.56	4.89	6.22	7.55	8.89	10.22	11.55	12.89
	1.35	0.21	0.33	0.45	0.58	0.70	0.83	0.95	1.07	1.20
60	2.51	4.01	5.51	7.02	8.52	10.02	11.53	13.03	14.53	
1.50	0.23	0.37	0.51	0.65	0.79	0.93	1.07	1.21	1.35	
66	2.79	4.46	6.14	7.81	9.49	11.16	12.83	14.51	16.18	
1.65	0.26	0.42	0.57	0.73	0.88	1.04	1.19	1.35	1.50	
72	3.07	4.92	6.76	8.61	10.45	12.30	14.14	15.98	17.83	
1.80	0.29	0.46	0.63	0.80	0.97	1.14	1.31	1.49	1.66	
78	3.36	5.37	7.39	9.40	11.42	13.43	15.45	17.46	19.48	
1.95	0.31	0.50	0.69	0.87	1.06	1.25	1.44	1.62	1.81	
84	3.64	5.83	8.01	10.20	12.38	14.57	17.75	19.94	21.12	
2.10	0.34	0.54	0.75	0.95	1.15	1.35	1.56	1.76	1.96	
90	0.00	0.20	0.04	10.00	10.35	15.70	10.00	20.41	22.77	
2.25	0.37	0.58	0.80	1.02	1.24	1.46	1.68	1.90	2.12	
96	4.21	6.74	9.26	11.79	14.31	16.84	19.37	21.89	24.42	
2.40	0.39	0.63	0.86	1.10	1.33	1.57	1.80	2.04	2.27	

PRESSURE DROP



PERFORMANCE DATA

AMCA Standard 500 provides a reasonable basis for testing and rating louvers. Testing to AMCA 500 is performed under a certain set of laboratory conditions. This does not guarantee that other conditions will not occur in the actual environment where louvers must operate.

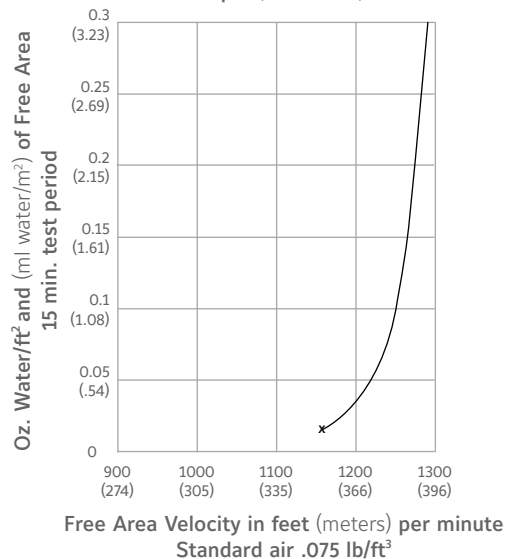
The louver system should be designed with a reasonable safety factor for louver performance. To ensure protection from water carry-over, design with a performance level somewhat below maximum desired pressure drop and .01 oz./sq. ft. of water penetration.

Ratings do not include the effect of a bird screen.

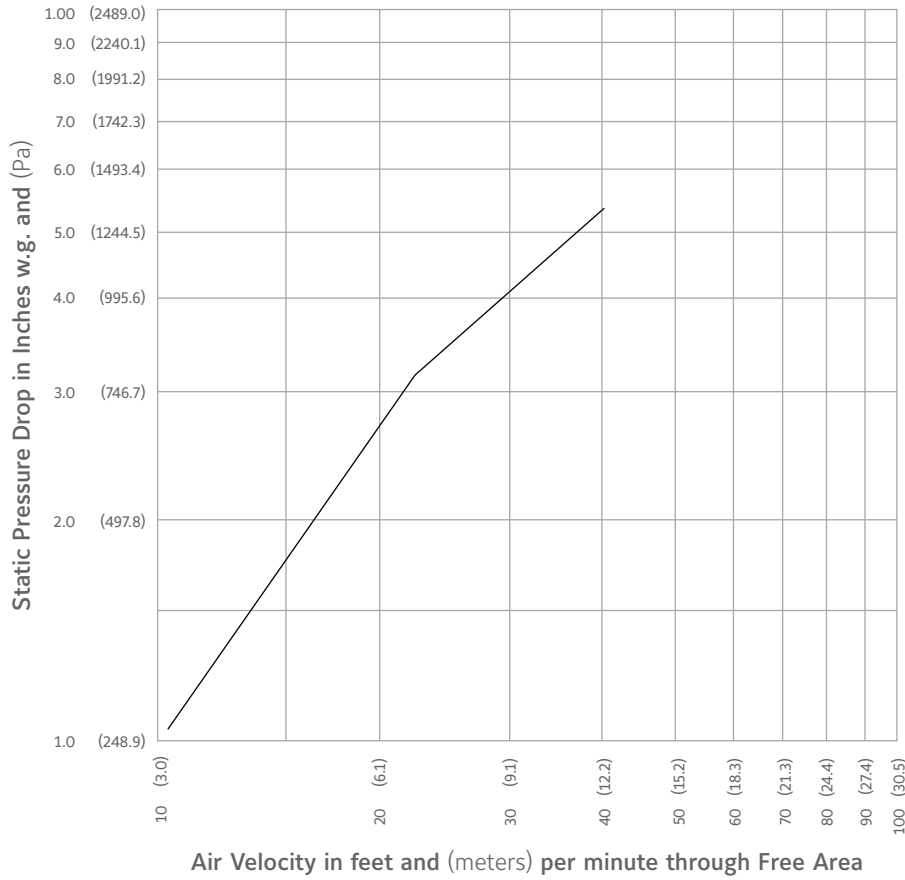


Reliable Products certifies that the 6375RDABL Louvers shown herein are licensed to bear the AMCA Seal. The ratings shown are based on tests and procedures performed in accordance with AMCA Publication 511 and comply with the requirements of the AMCA Certified Ratings Program. The AMCA Certified Ratings Seal applies to air performance ratings and water penetration ratings only.

Water Penetration Graph
 Test size 48" wide X 48" high (1219 X 1219)
 Beginning point of water penetration at .01 oz. /sq. ft. is
 1157 fpm (353 m/min).



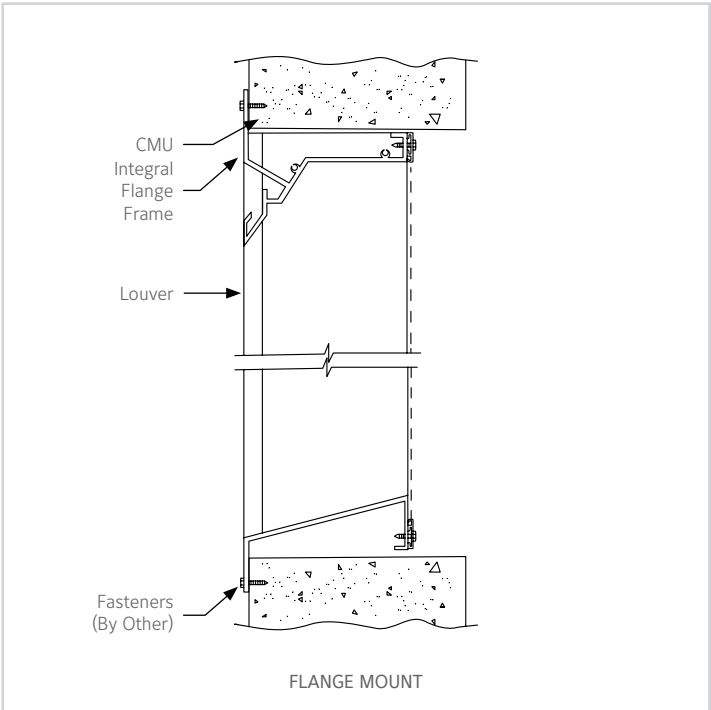
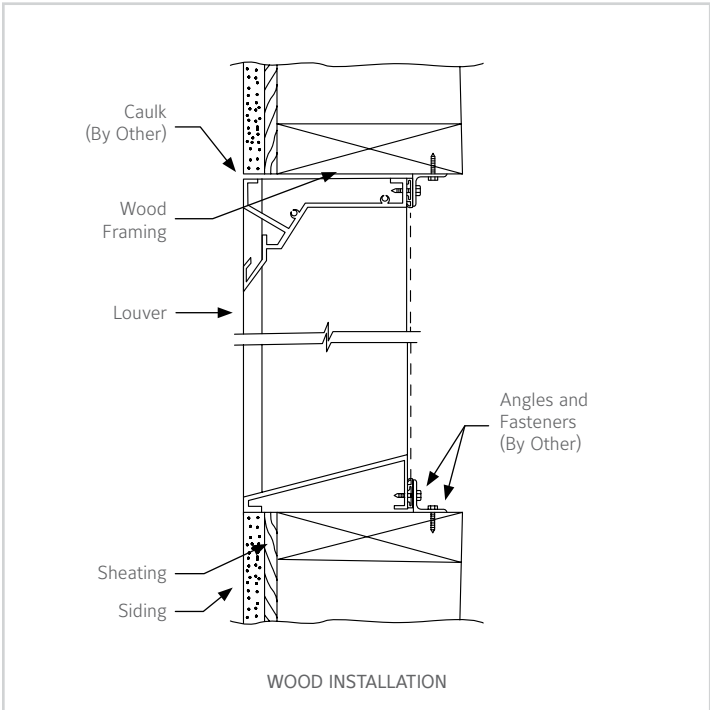
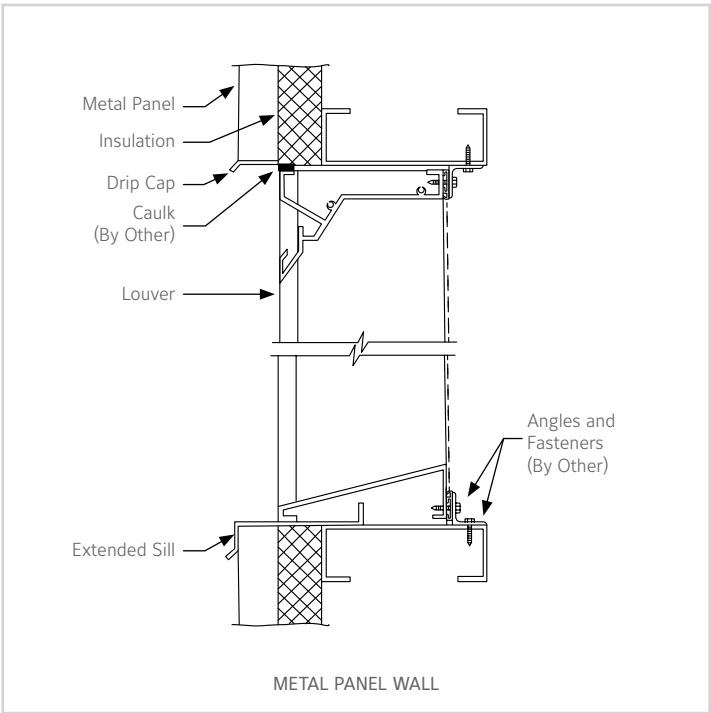
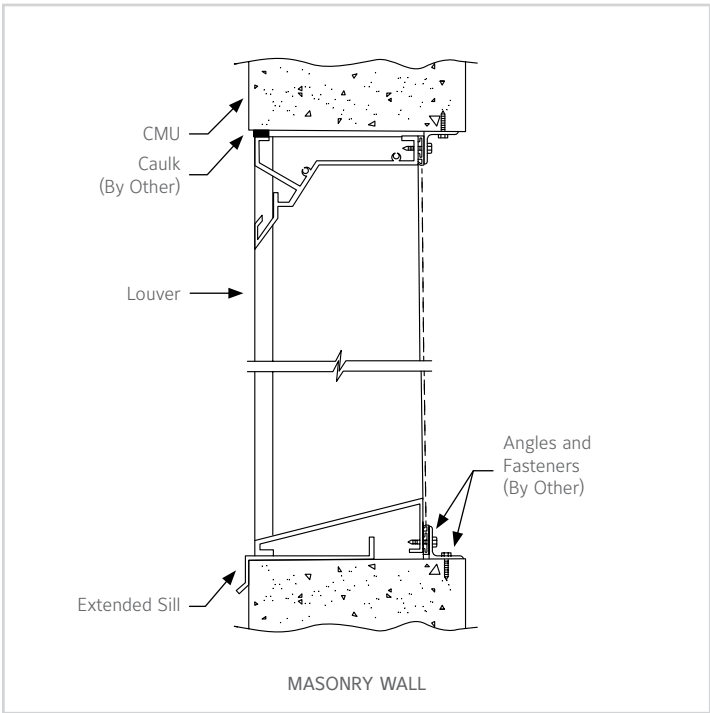
AIR LEAKAGE WITH BLADES CLOSED



Leakage at 1" w.g. (248.9) static pressure drop is 10.8 CFM per ft.² and (m²).

Louver tested for air leakage with jamb seals and optional blade seals.

TYPICAL INSTALLATION DETAILS



*Accessories at additional cost.

SUGGESTED SPECIFICATION

Furnish and install louvers as hereinafter specified where shown on plans or as described in schedules. Drainable stationary louver meeting the performance criteria established by the Louvers shall be manufactured in an ISO 9001 certified factory. Louvers shall be stationary type contained within a 6" (152) frame. Louver components (heads, jambs, sills, blades, and mullions) shall be factory assembled by the louver manufacturer. Louver sizes too large for shipping shall be built up by the contractor from factory assembled louver sections to provide overall sizes required. Louver design shall incorporate structural supports required to withstand a wind load of 30 lbs. per sq. ft. (.144kPa) equivalent to 110 mph (177 kph).

Louvers shall be Reliable Model 6375RDABL construction as follows:

Material

Frame: .081" (2.1) aluminum channel.

Blades: .081" (2.1) nominal wall thickness.

Screen: 3/4" x .051" (19 x 1.3) expanded, flattened aluminum bird screen in removable frame.

Finish: Select finish specification from Reliable Finishes Brochure.

LINKS TO IMPORTANT DOCUMENTS

Document Title
Finishes and Color Guide
Limited Warranty Document



1300 Enterprise Road, P.O. Box
580, Geneva, Alabama 36340
Tel: 334-684-3621
Tel: 800-624-3914
Fax: 800-508-1469