

# 4375B

## Stationary Louver

Extruded Aluminum



### APPLICATION

The 4375B is a 4" deep, extruded aluminum, architecturally styled, stationary louver with a hidden mullion option which allows for a continuous appearance. This louver is designed to protect air intake and exhaust openings on exterior walls.

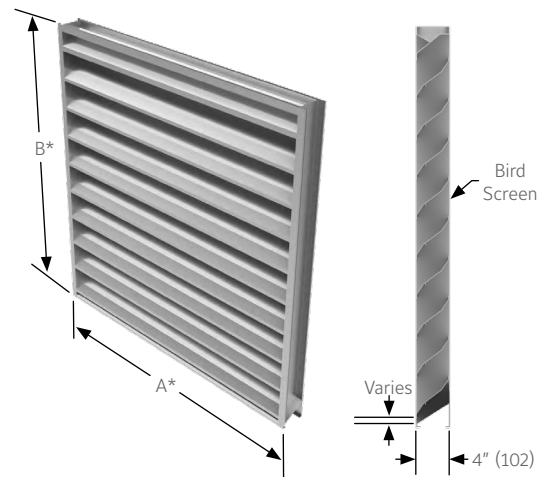
### STANDARD CONSTRUCTION

<b>Frame</b>	4" (102) deep, 6063T6 extruded aluminum, .081" (2.1) nominal wall thickness. Caulking surfaces provided.
<b>Blades</b>	6063T6 extruded aluminum with .081" (2.1) nominal wall thickness. Blades are positioned at 37 1/2° angle and spaced approximately 4 3/4" (127) center to center.
<b>Screen</b>	3/4" x .051" (19 x 1.3) expanded, flattened aluminum bird screen in removable frame. Screen adds approximately 1/2" (13) to louver depth.
<b>Finish</b>	Mill.
<b>Minimum Size</b>	12"w x 12"h (305 x 305).
<b>Approximate Shipping Weight</b>	4 lbs. per sq. ft. (19.5 kg/m <sup>2</sup> )
<b>Maximum Factory Assembly Size</b>	Shall be 75 sq. ft. (7m <sup>2</sup> ) per section, not to exceed 120"w x 90"h (3048 x 2286) or 90" w x 120" h (2286 x 3048). Louvers larger than the maximum factory assembly size will require field assembly of smaller sections.
<b>Supports</b>	Louvers may be provided with rear mounted blade supports that increase overall louver depth depending on louver size, assembly configuration or windload.

Consult Reliable for additional information.

### FEATURES

- 52% Free Area
- Published performance ratings based on testing in accordance with AMCA Publication 511
- Beginning point of water penetration at .01 oz. sq/ft is 696 fpm (212 m/min)
- Architecturally styled hidden mullions allowing continuous line appearance
- Aluminum construction for low maintenance and high resistance to corrosion
- Low pressure drop and low water penetration



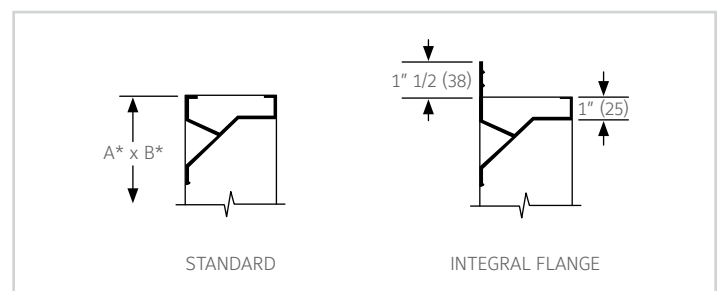
### VARIATIONS

Variations to the basic design of the louvers are available at additional cost. They include:

- Extended Sill
- Hinged frame
- Front or rear security bars
- Filter racks
- Universal sleeve
- Blank off panels
- Installation angles
- A variety of bird and insect screens
- Optional finishes available at additional cost: Prime coat, 50% PVDF (modified fluoropolymer), Epoxy, Pearledize, 70% PVDF, Clear and Anodized finishes. (Some variation in anodize color consistency is possible)

Consult Reliable for other special requirements.

### FRAME CONSTRUCTION



Note:

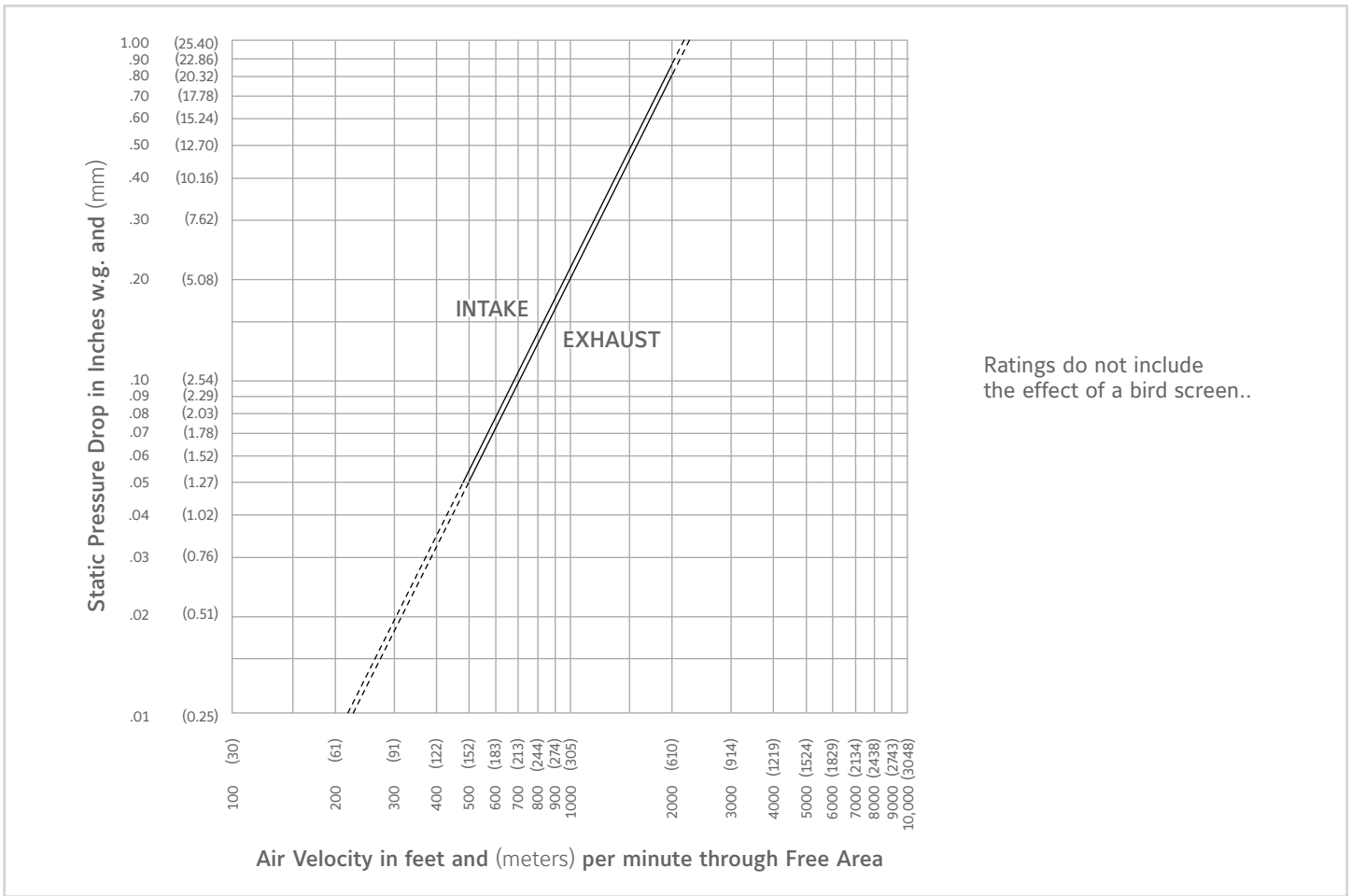
- Dimensions in inches, parenthesis ( ) indicate millimeters.
- Units can be furnished actual size or with size deducts.

# FREE AREA GUIDE

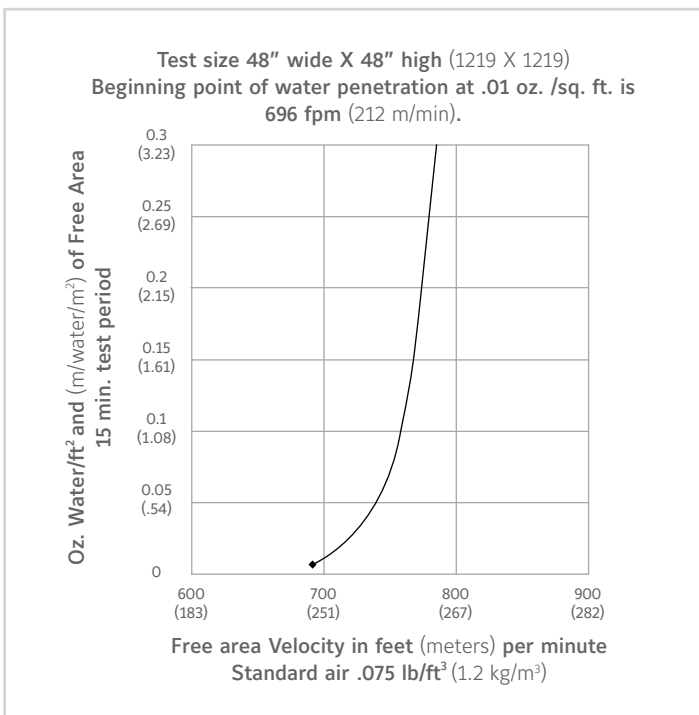
Free Area Guide shows free area in ft<sup>2</sup> and m<sup>2</sup> for various sizes of 4375B.

		Width – Inches and Meters																		
		12	18	24	30	36	42	48	54	60	66	72	78	84	90	96	102	108	114	120
Height – Inches and Meters		0.30	0.45	0.60	0.75	0.90	1.05	1.20	1.35	1.50	1.65	1.80	1.95	2.10	2.25	2.40	2.55	2.70	2.85	3.00
		12	0.30	0.19	0.30	0.41	0.52	0.64	0.75	0.86	0.97	1.09	1.20	1.31	1.42	1.53	1.65	1.76	1.87	1.98
18	0.45	0.39	0.62	0.86	1.09	1.33	1.56	1.80	2.03	2.26	2.50	2.73	2.97	3.20	3.44	3.67	3.91	4.14	4.37	4.61
24	0.60	0.79	1.26	1.73	2.20	2.67	3.14	3.61	4.08	4.55	5.02	5.50	5.97	6.44	6.91	7.38	7.85	8.32	8.79	9.26
30	0.75	0.99	1.58	2.17	2.77	3.36	3.95	4.55	5.14	5.73	6.33	6.92	7.51	8.11	8.70	9.29	9.88	10.48	11.07	11.66
36	0.90	1.19	1.91	2.62	3.34	4.05	4.77	5.48	6.20	6.91	7.63	8.34	9.06	9.77	10.49	11.20	11.92	12.63	13.35	14.06
42	1.05	1.40	2.23	3.07	3.91	4.74	5.58	6.42	7.26	8.09	8.93	9.77	10.60	11.44	12.28	13.11	13.95	14.79	15.63	16.46
48	1.20	1.79	2.86	3.94	5.01	6.09	7.16	8.23	9.31	10.38	11.45	12.53	13.60	14.68	15.75	16.82	17.90	18.97	20.05	21.12
54	1.35	1.99	3.19	4.38	5.58	6.78	7.97	9.17	10.36	11.56	12.76	13.95	15.15	16.34	17.54	18.74	19.93	21.13	22.32	23.52
60	1.50	2.20	3.51	4.83	6.15	7.47	8.79	10.10	11.42	12.74	14.06	15.38	16.69	18.01	19.33	20.65	21.97	23.28	24.60	25.92
66	1.65	2.40	3.84	5.28	6.72	8.16	9.60	11.04	12.48	13.92	15.36	16.80	18.24	19.68	21.12	22.56	24.00	25.44	26.88	28.32
72	1.80	2.79	4.47	6.15	7.82	9.50	11.18	12.85	14.53	16.21	17.88	19.56	21.24	22.92	24.59	26.27	27.95	29.62	31.30	32.98
78	1.95	3.00	4.80	6.60	8.39	10.19	11.99	13.79	15.59	17.39	19.19	20.99	22.78	24.58	26.38	28.18	29.98	31.78	33.58	35.37
84	2.10	3.20	5.12	7.04	8.96	10.88	12.80	14.73	16.65	18.57	20.49	22.41	24.33	26.25	28.17	30.09	32.01	33.93	35.85	37.77
90	2.25	3.40	5.45	7.49	9.53	11.58	13.62	15.66	17.70	19.75	21.79	23.83	25.87	27.92	29.96	32.00	34.05	36.09	38.13	40.17
96	2.40	3.80	6.08	8.36	10.64	12.92	15.20	17.48	19.76	22.04	24.31	26.59	28.87	31.15	33.43	35.71	37.99	40.27	42.55	44.83
102	2.55	4.00	6.40	8.81	11.21	13.61	16.01	18.41	20.81	23.21	25.62	28.02	30.42	32.82	35.22	37.62	40.03	42.43	44.83	47.23
108	2.70	4.21	6.73	9.25	11.78	14.30	16.82	19.35	21.87	24.39	26.92	29.44	31.96	34.49	37.01	39.54	42.06	44.58	47.11	49.63
114	2.85	4.41	7.05	9.70	12.35	14.99	17.64	20.28	22.93	25.57	28.22	30.86	33.51	36.16	38.80	41.45	44.09	46.74	49.38	52.03
120	3.00	4.80	7.69	10.57	13.45	16.33	19.22	22.10	24.98	27.86	30.74	33.63	36.51	39.39	42.27	45.16	48.04	50.92	53.80	56.69

## PRESSURE DROP

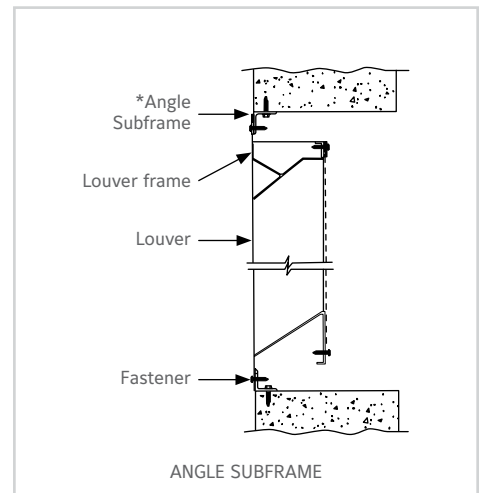
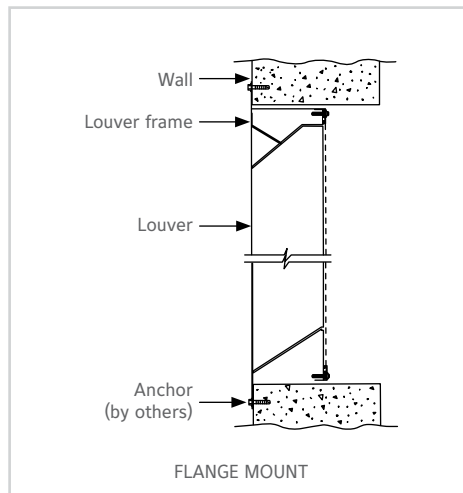
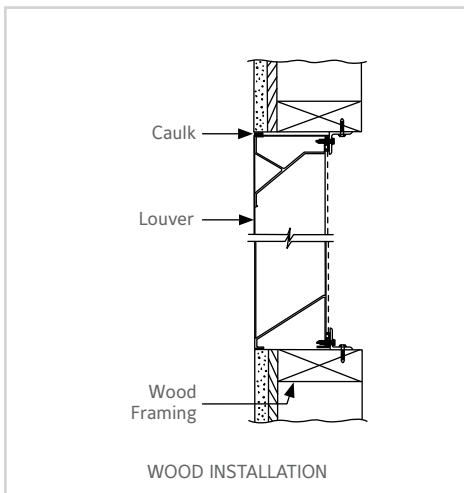
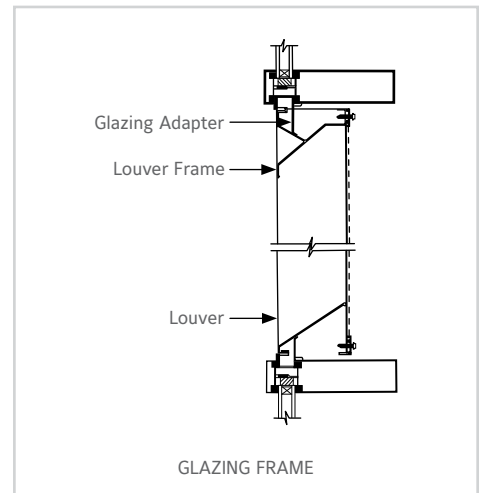
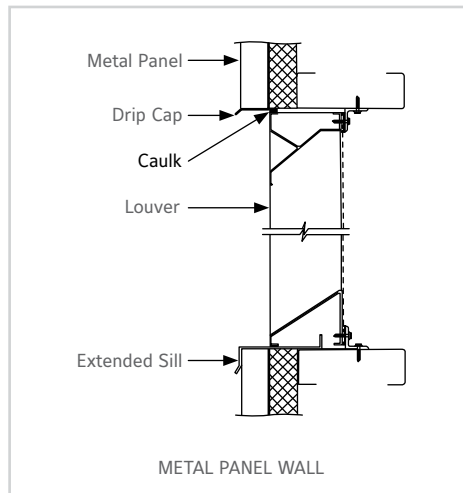
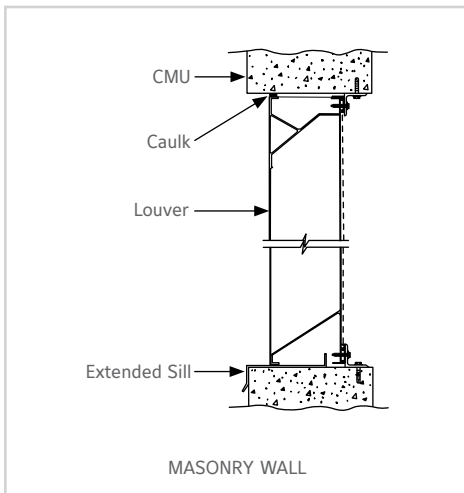


## WATER PENETRATION GRAPH



Reliable Products certifies that the louvers shown herein are licensed to bear the AMCA Seal. The ratings shown are based on tests and procedures performed in accordance with AMCA Publication 511 and comply with the requirements of the AMCA Certified Ratings Program. The AMCA Certified Ratings Seal applies to air performance ratings and water penetration ratings only.

## TYPICAL INSTALLATION DETAILS



Caulk and anchors are not provided by Reliable.

\*Accessories at additional cost.

## SUGGESTED SPECIFICATION

Furnish and install louvers as hereinafter specified where shown on plans or as described in schedules. Louvers shall be stationary type with downspouts in jams and mullions. Louvers shall have a minimum of 52% free area based on a 48" wide x 48" high (1219 x 1219) size. Stationary blades shall be contained within a 4" (102) frame. Louver components (heads, jams, sills, blades & mullions) shall be factory assembled by the louver manufacturer. Louver sizes too large for shipping shall be built up by the contractor from factory assembled louver sections to provide overall sizes required. Louver design shall limit span between visible mullions to 10 feet (3) and shall incorporate structural supports required to withstand a wind load of 30 lbs. per sq. ft. (1.44kPa) (equivalent of a 110 mph wind [177 KPH] - specifier may substitute any loading required).

Louvers shall be Reliable Model 4375B extruded 6063T6 aluminum alloy construction as follows:

Frame: 4" (102) deep, .081" (2.1) wall thickness.

Blades: .081" (2.1) nominal wall thickness. Blades are positioned at 37 1/2° angle and spaced approximately 4 3/4" (121) center to center.

Screen: 3/4" x .051" (19 x 1.3) expanded, flattened aluminum in removable frame.

Finish: Select finish specification from Reliable Finishes Brochure.

Published louver performance data bearing the AMCA Certified Ratings Seal for Air Performance & Water Penetration must be submitted for approval prior to fabrication and must demonstrate pressure drop and water penetration equal to or less than the Reliable model specified.

## LINKS TO IMPORTANT DOCUMENTS

### Document Title

Finishes and Color Guide

Limited Warranty Document

**RELIABLE**

1300 Enterprise Road, P.O. Box  
580, Geneva, Alabama 36340  
Tel: 334-684-3621  
Tel: 800-624-3914  
Fax: 800-508-1469