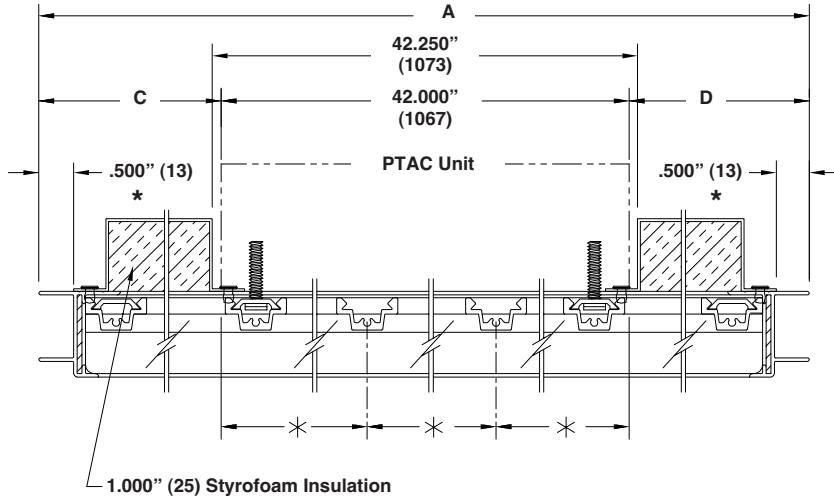




1300 ENTERPRISE ROAD GENEVA, ALABAMA 36340-0580 800-239-4621 FAX 1-800-508-1469 www.reliablelouvers.com

.040 BLANK-OFF - 2 INS - 1 W/ UNIT CUTOUT



STANDARD CONSTRUCTION

- Extruded aluminum; 6063-T5

FRAME OPTIONS

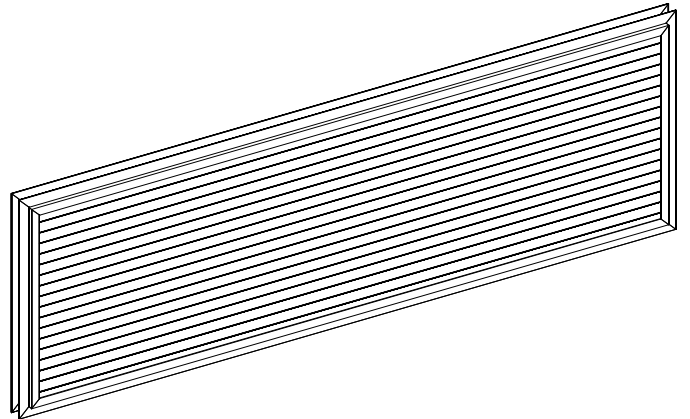
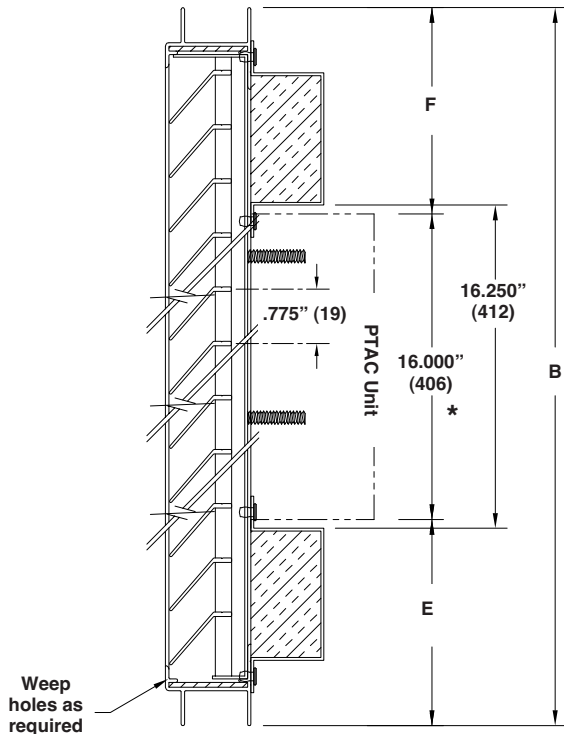
- 186
- 190
- 194
- 2371
- 1932
- 2381
- 2351
- Other

VARIATIONS

- A as required, not to exceed 190" (4826)
- B as required, not to exceed 84" (2134)
- C as required
- D as required
- E as required
- F as required

Notes:

1. Face view for illustration purposes only.
 2. Exterior mounting holes as required
 3. Dimensions in inches, parenthesis () indicate millimeters
- *Dimensions determined by unit type, model, and frame.



UNIT TYPE	UNIT MODEL NO.	ACTUAL SIZE						VARIATIONS
		A	B	C	D	E	F	
PROJECT ARCH./ENGR. REPRESENTATIVE				LOCATION CONTRACTOR DATE				