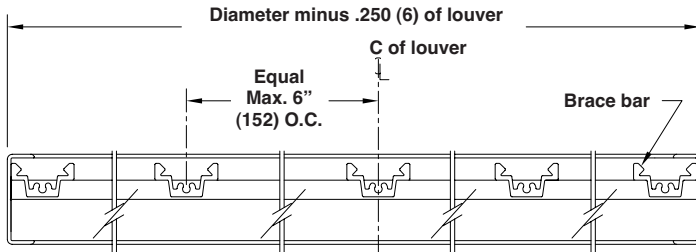




### DIAMETER AEL-42 W/ 187 FRAME



#### STANDARD CONSTRUCTION

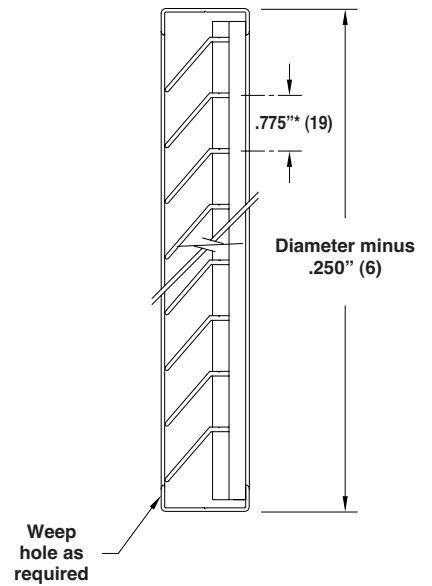
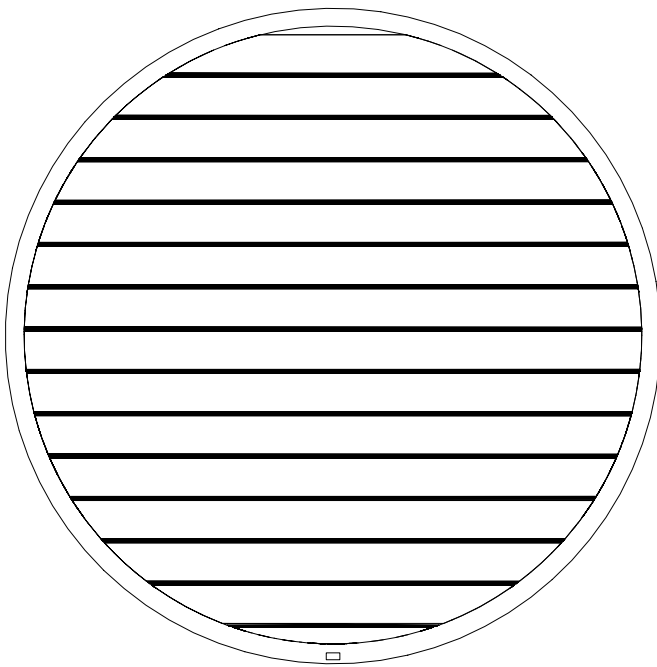
- Extruded aluminum; 6063-T5

#### OPTIONS

- Clear or anodized finish
- Prime coat
- Baked Enamel (Kynar 50%)
- Pearledized 50 or 70
- Kynar 70%
- 1" (25) blade spacing

**Notes:**

1. Face view for illustration purposes only
2. Dimensions in inches, parenthesis ( ) indicate millimeters



UNIT TYPE	UNIT MODEL NO.	DIA.	VARIATIONS
PROJECT ARCH./ENGR. REPRESENTATIVE		LOCATION CONTRACTOR DATE	

